


PRODUCT SHEET

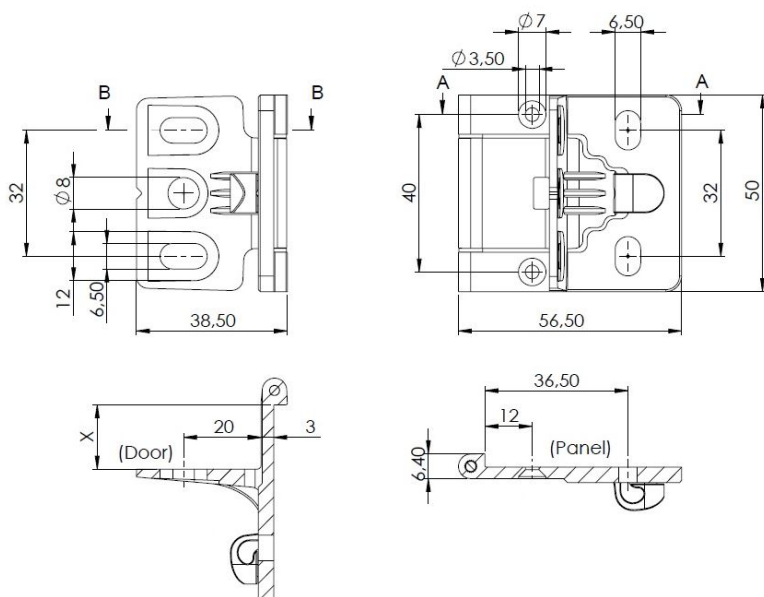
Description:

Cabinet Hinge "Easy",F/Inset Doors,Black,,Min.180DG,F/8-10mm Panel, W/Catch, Zamak Body & Stainless Steel Axel, Incl. 4, Black SS Euro Screws $\varnothing 6,3 \times 10 \text{mm}$ + 2 CSK Black Steel Screws, $3,5 \times 10 \text{mm}$ & 2 Black PA6 Gaskets - 1mm

Item number:

15.04.106-0

| Units | Box | Carton | HS Code | Barcode |
|-------|-----|--------|------------|--|
| Pcs. | 10 | 200 | 8302100090 |  |
| | | | | 5704866487962 |



SISO A/S

Mileparken 11
DK-2740 Skovlunde
Denmark
VAT: DK 24786013

Phone +45 45 830 900

www.siso.dk
siso@siso.dk

Danske Bank
Nytorv Branch
Copenhagen
SWIFT: DABADKKK

Account no.
4180 3112 112936
IBAN Account
DK7230003112112936